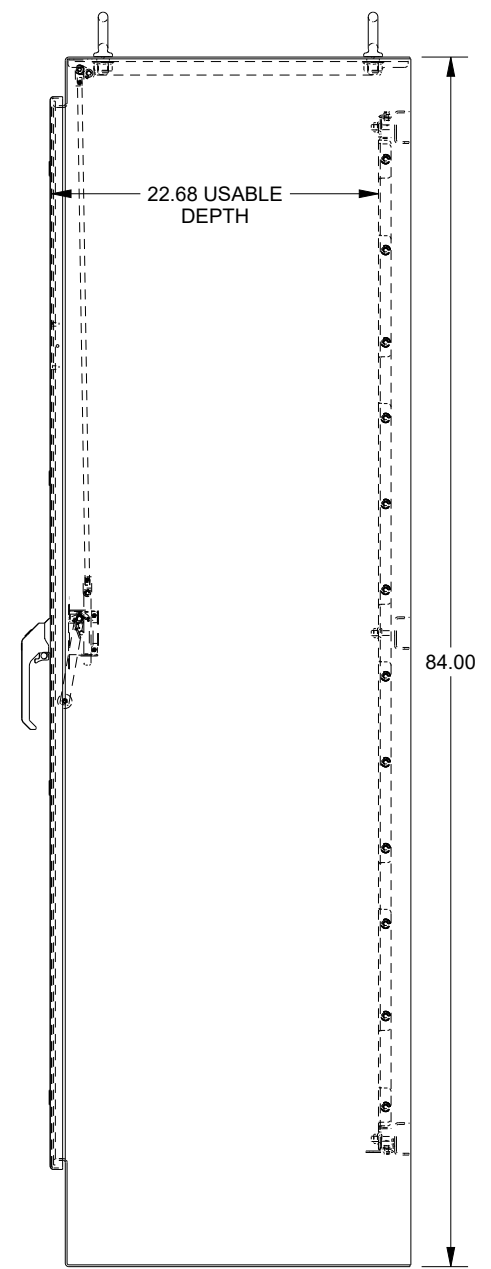
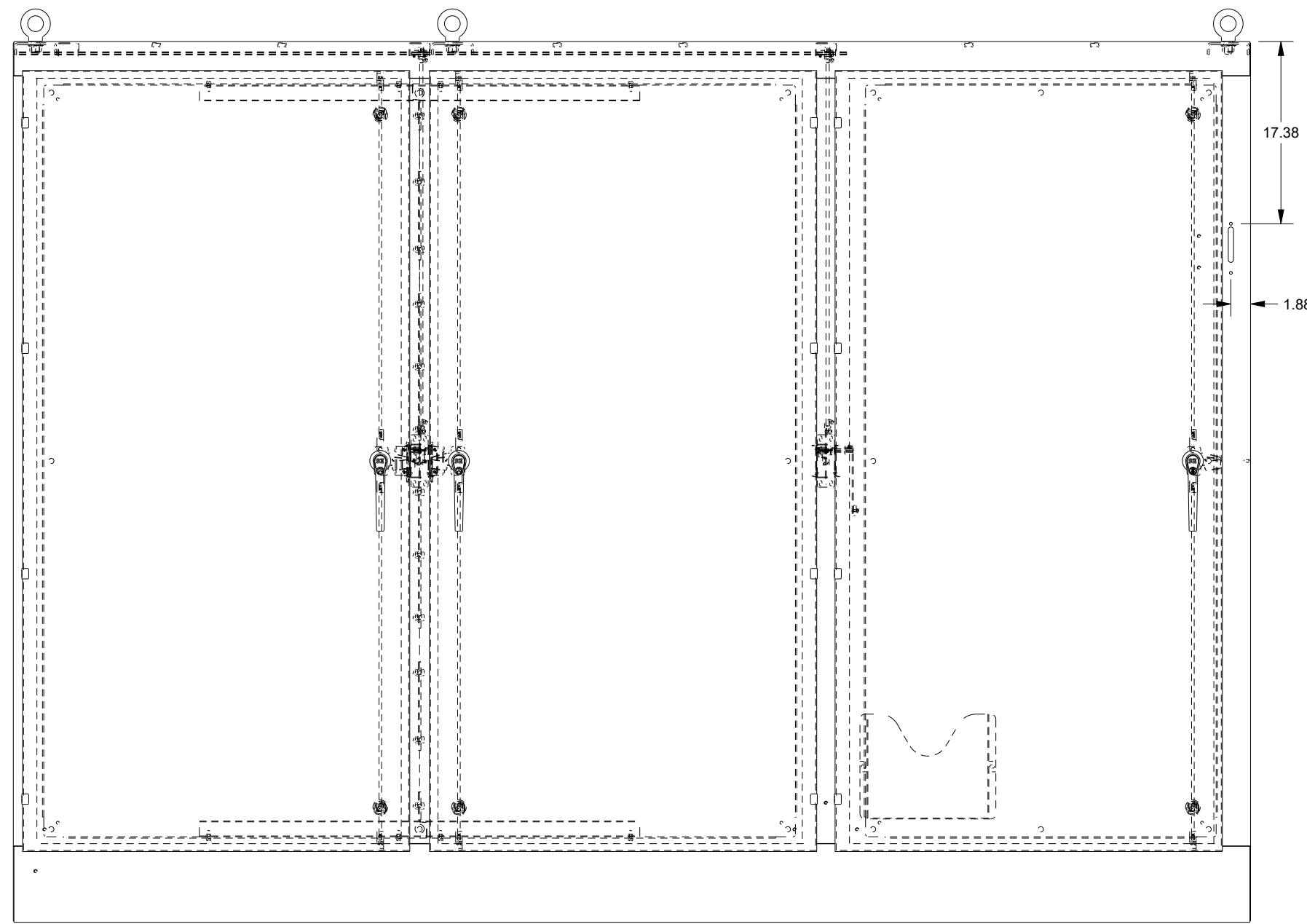
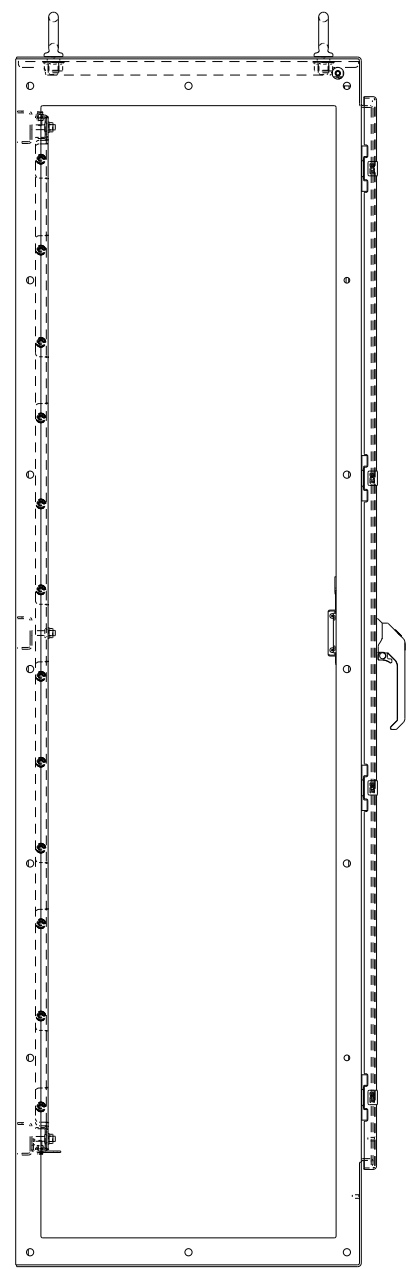
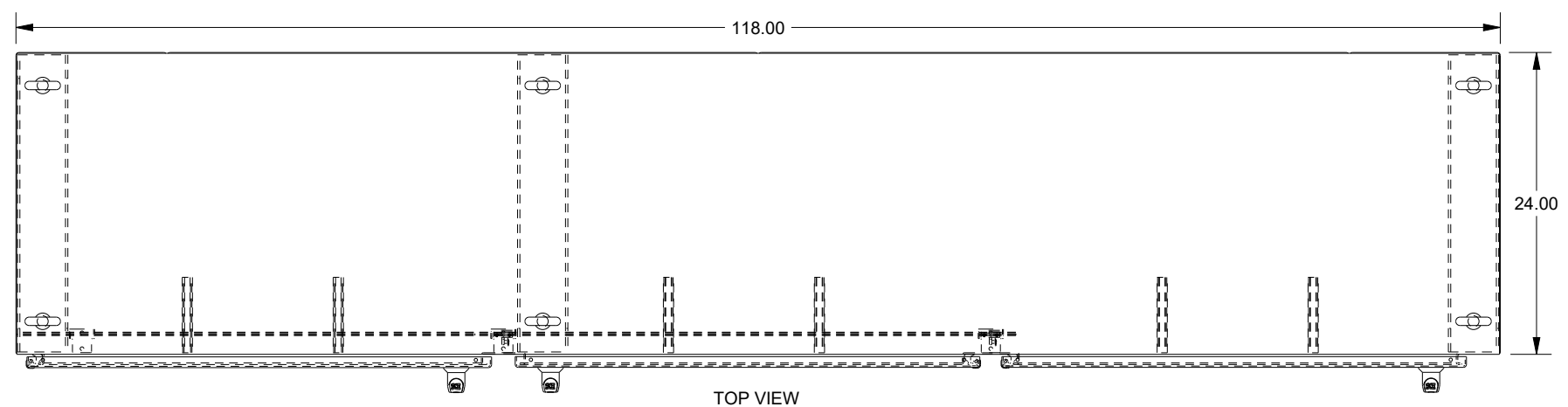
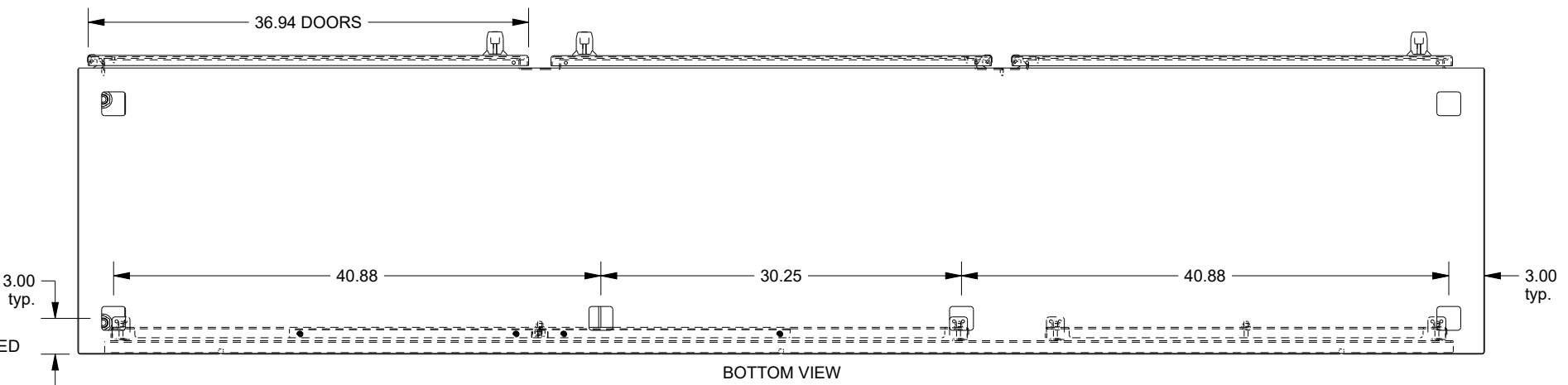
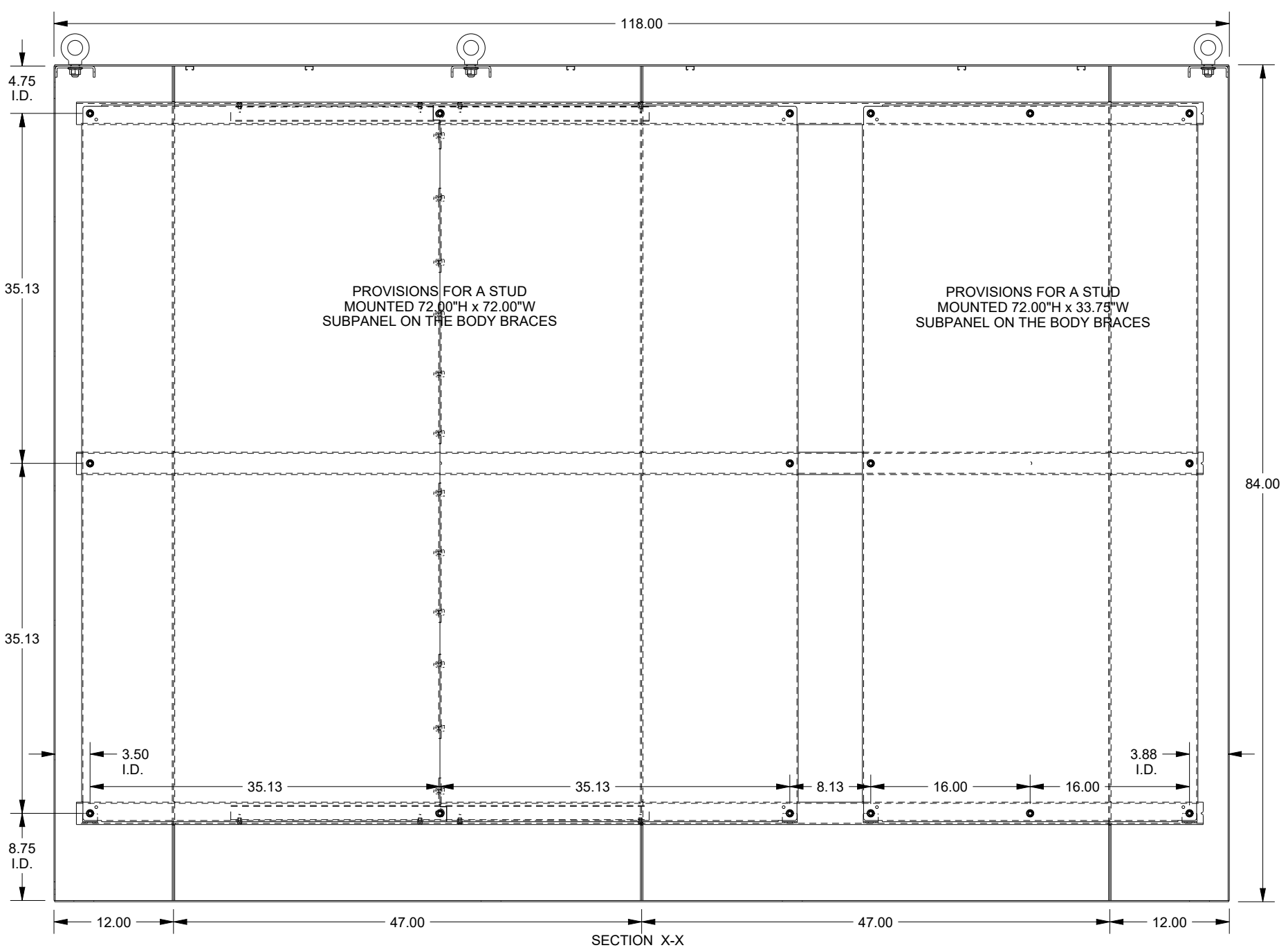
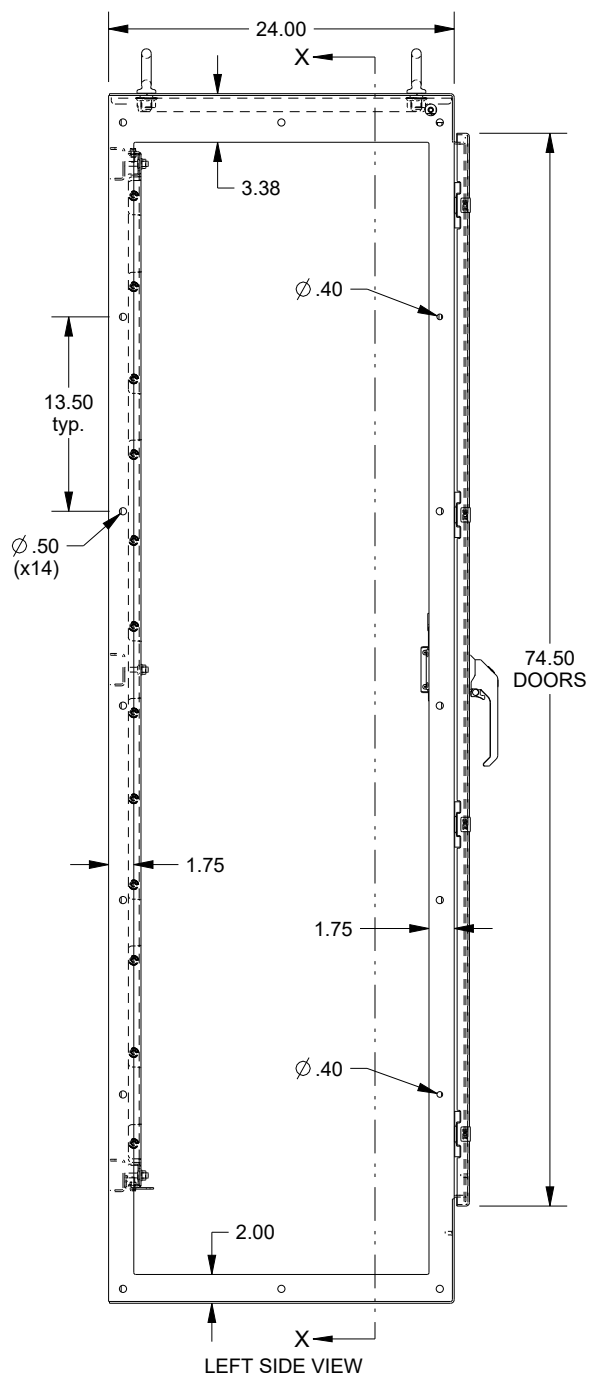


SAGINAW CONTROL & ENGINEERING SCE-84XMR3D24G SHT.1 OF 2



SAGINAW CONTROL & ENGINEERING

SCE-84XMR3D24G SHT.2 OF 2



WASH SYSTEM 2" SQUARE DRAIN HOLES IN THE BOTTOM WITH UL APPROVED HOLE SEALS PROVIDED